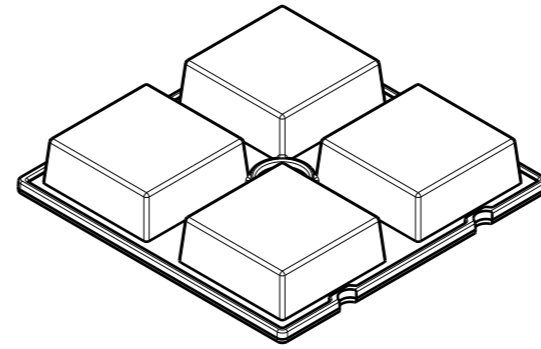
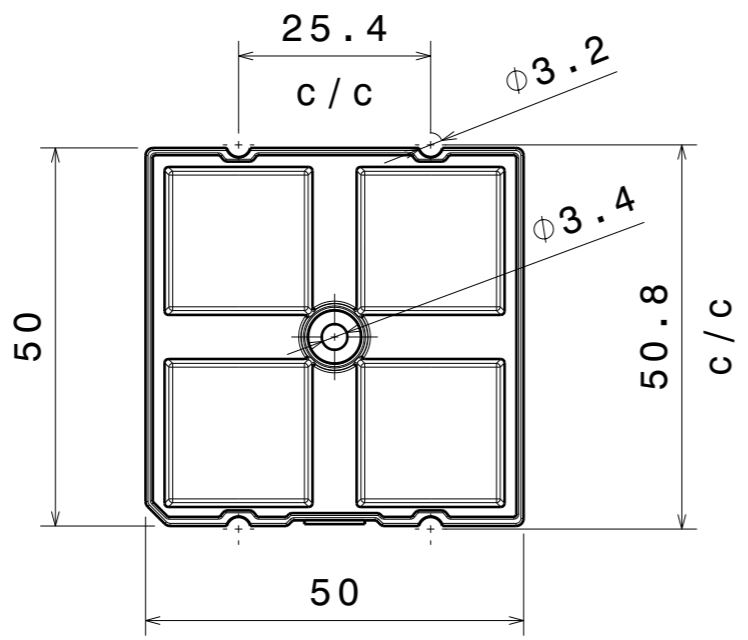


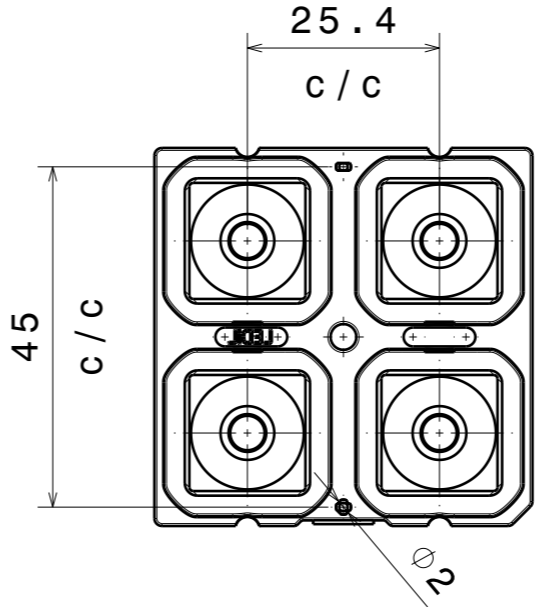
Front view



Isometric view
Scale: 1:1



Top view



Bottom view

PART	TYPE	MATERIAL	COLOR / COATING
C14607_HB-2X2-M		PMMA	

MECHANICAL DRAWING		LEDiL®
PRODUCT HIGHBAY		
Plastic moulding general tolerances according to DIN 16901-130 and applies if not otherwise shown in the drawing. Silicone moulding general tolerances according to ISO 3302-1 Class M3 and applies if not otherwise shown in the drawing.	FIRST ANGLE PROJECTION: 	This drawing is the property of LEDiL Oy. It may not be copied or otherwise distributed without prior written permission from LEDiL Oy.
SCALE 1:1	WEIGHT 10,5 g	

This drawing is the property of LEDiL Oy. It may not be copied or otherwise distributed without prior written permission from LEDiL Oy.